

24VDC Remote Compressor/Condenser

Mine Air Systems

Technical Data

Product application

- Mobile diesel-powered haul trucks, dozers, graders, loaders and similar equipment

Benefits

- Improves air conditioning system performance and equipment uptime by replacing the typical engine-mounted, belt-driven compressor/condenser system with a modular 24 VDC high capacity remote compressor/condenser unit
- Reduces maintenance costs associated with engine-mounted, belt-driven compressor/condenser systems that can interfere with engine maintenance access

Summary

The P&H brand Mine Air systems Remote Compressor/Condenser (RCC) is a mounted 24VDC compressor and condenser unit. The RCC is designed as a replacement for conventional engine-mounted, belt-driven compressor and condenser arrangement on mobile mining equipment. It is suitable for installation on a wide variety of mobile diesel-powered mining equipment including haul trucks, graders, dozers and front-end loaders. The RCC is designed to tie into the existing OEM air conditioning system and utilizes the existing dash-mounted OEM evaporator coil, blower, ducting and vents.



Description

The RCC is designed as a replacement for mobile, diesel-powered equipment that utilizes engine-mounted, belt-driven compressor / condenser systems.

It is a modular unit, driven by a 24 volts DC compressor / condenser that can be mounted close to the operator cab and integrated with the OEM AC system after the engine-mounted, belt-drive compressor unit and longer refrigerant lines are removed.

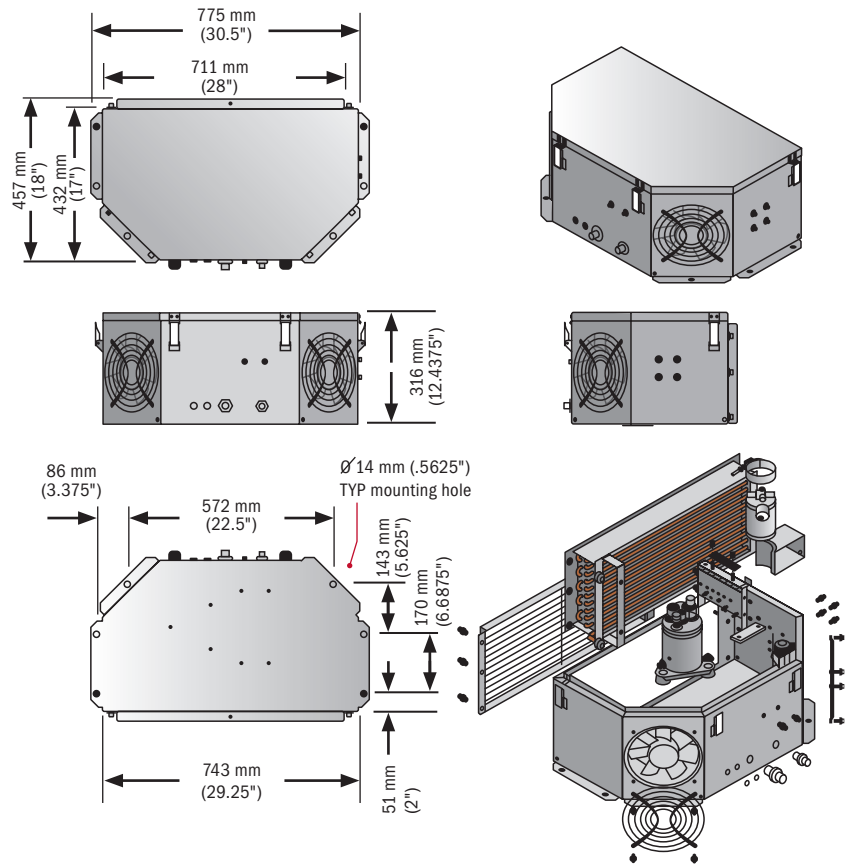
The RCC features two quick-disconnect ports for the shorter, relocated refrigerant lines, and two plugs for the control and the power. If the RCC needs to be replaced, the change-out process can be carried out in about 30 minutes with the proper tools and equipment.

For more information, contact a local Komatsu Mining Corp. representative or visit mining.komatsu

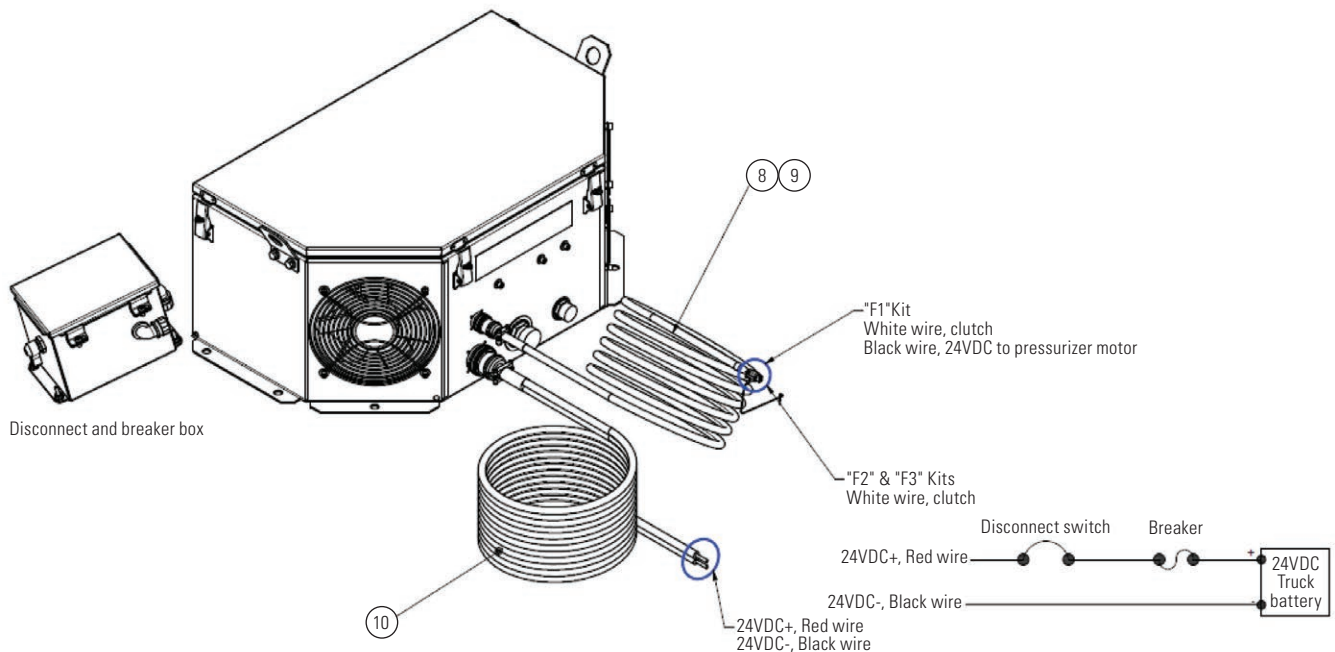
Technical characteristics

Feature	Specification
Description	Remote mounted air conditioning condenser c/w compressor
Electrical	24 Volt DC, max current draw of 50A, typical operation current of 30A
Compressor	24 Volt DC hermetically sealed rotary compressor
Physical size	775 mm wide x 457 mm long by 316 mm high 30.5" wide x 18" long by 12.44" high
Modularity	Unit swap 30 min
Capacity	10,000 BTU/hr @ 95°F
Refrigerant	R134A
Construction	Case; 16 gauge 304 Brushed stainless steel Coils; copper tube, 10 fins per inch
Weight	49 kg (108 lbs) installed

Model MAS RCC dimensions



HCRC illustrated with typical installation kit



Komatsu Mining Corp.

mining.komatsu



Product designs, specifications and/or data in this document are provided for informational purposes only and are not warranties of any kind. Product designs and/or specifications may be changed at any time without notice. The only warranties that apply to sales of products and services are standard written warranties, which will be furnished upon request.

Komatsu, Joy, Montabert, P&H and other trademarks and service marks used herein are the property of Komatsu Ltd., Komatsu Mining Corp., or their respective owners or licensees.

© 2017 Komatsu Mining Corp. All rights reserved.